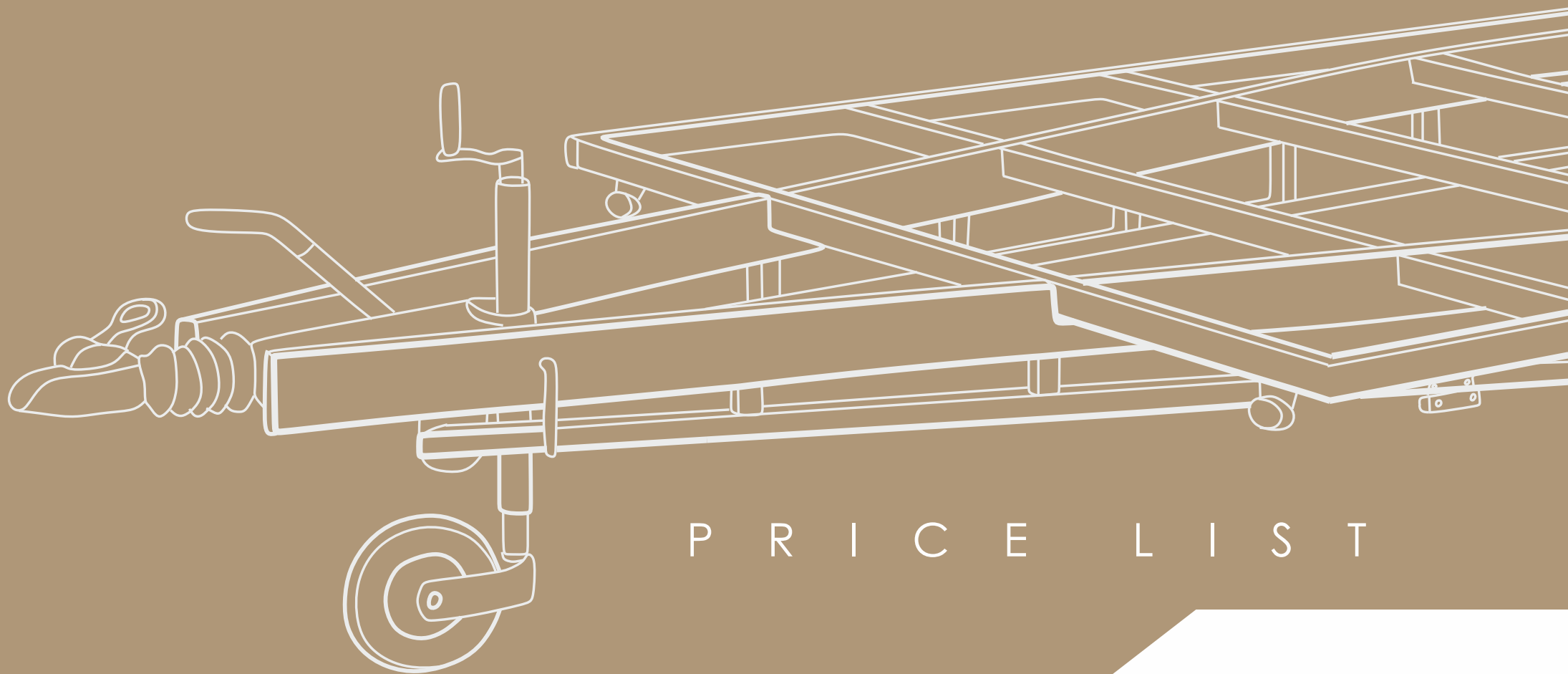


TRAILERS FOR MOBILE HOUSES



P R I C E L I S T

www.mobihouse.pl

LOW FLOOR TRAILERS

MODEL		LENGTH [CM]	PLATFORM DIMENSIONS [CM]	HEIGHT [CM]	PAYLOAD [KG]	NET PURCHASE PRICE [EUR]
TH540 3500 KG	2 X AS 1800 KG	710	524x244	51	2920	3750
TH600 3500 KG		770	602x244		2890	3860
TH660 3500 KG		830	662x244		2870	3980
TH720 3500 KG		890	720x244		2850	4100
TH780 3500 KG		950	780x244		2820	4220
TH840 3500 KG		1010	840x244		2800	4400
TH720 3500 KG	3 X AS 1350 KG	890	720x244		2800	4500
TH780 3500 KG		950	780x244		2780	4640
TH840 3500 KG		1010	840x244		2760	4830
TH720 3500 KG	3 X AS 1800 KG	890	720x244		2720	4800
TH780 3500 KG		950	780x244		2680	4940
TH840 3500 KG		1010	840x244		2670	5130

FLAT FLOOR TRAILERS

MODEL		LENGTH [CM]	PLATFORM DIMENSIONS [CM]	HEIGHT [CM]	PAYLOAD [KG]	NET PURCHASE PRICE [EUR]
THP540 3500 KG	2 X AS 1800 KG	710	524x244	62	2920	3750
THP600 3500 KG		770	602x244		2890	3860
THP660 3500 KG		830	662x244		2880	3980
THP720 3500 KG		890	720x244		2840	4100
THP780 3500 KG		950	780x244		2810	4220
THP840 3500 KG		1010	840x244		2800	4400
THP720 3500 KG	3 X AS 1350 KG	890	720x244		2800	4500
THP780 3500 KG		950	780x244		2770	4640
THP840 3500 KG		1010	840x244		2750	4830
THP720 3500 KG	3 X AS 1800 KG	890	720x244		2710	4800
THP780 3500 KG		950	780x244		2680	4940
THP840 3500 KG		1010	840x244		2670	5130

LIFT&GO MODULAR TRAILERS

MODEL		LENGTH [CM]	PLATFORM DIMENSIONS [CM]	HEIGHT [CM]	PAYLOAD [KG]	NET PURCHASE PRICE [EUR]
4 PIECES OF LIFTING SUPPORTS						550
THM540 3500 KG	2 X AS 1800 KG	710	542X244	62	2790	4460
CHASSIS						2752
FRAME						1708
THM600 3500 KG	2 X AS 1800 KG	770	602X244	62	2760	4580
CHASSIS						2752
FRAME						1828
THM660 3500 KG	2 X AS 1800 KG	830	662X244	62	2740	4700
CHASSIS						2752
FRAME						1948

ACCESSORIES

SPECIFICATIONS	NET PURCHASE PRICE [EUR]
SPARE WHEEL 185/R14 900 KG - 6.2 Bar	150
SPARE WHEEL 195/50R13 900 KG - 6.2 Bar	150
SPARE WHEEL HOLDER WITH SCREWS	50
ALUMINIUM RIMS GREY 185/ R14 900 KG - 6.2 Bar	325
BLACK ALUMINIUM RIMS 185/ R14 900 KG - 6.2 Bar	325
ALUMINIUM RIMS GREY 185/ R14 900 KG - 6.2 Bar	325
2 WHEEL CHOCKS	80
4 PIECES OF LEVELLING SUPPORTS	350
CERTIFICATE OF CONFORMITY (COC) - NECESSARY FOR THE REGISTRATION OF TRAILERS	20

CONTACT



ul. Białachowska 1A
83-210 Zblewo
POLAND

+48 511 198 010
+48 798 834 435

